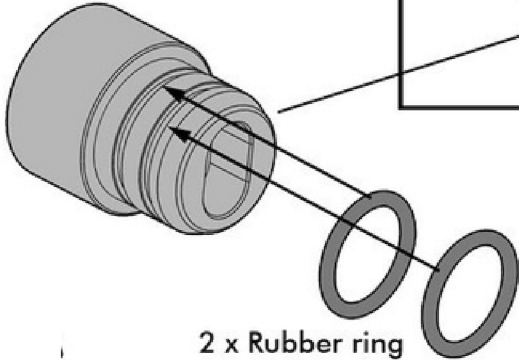
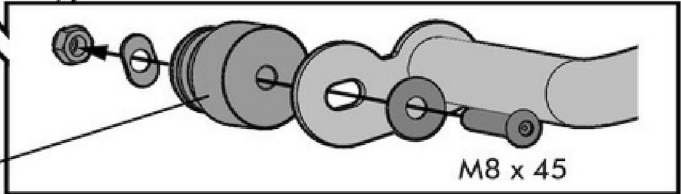
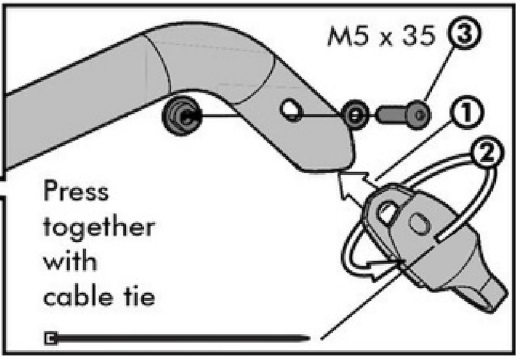
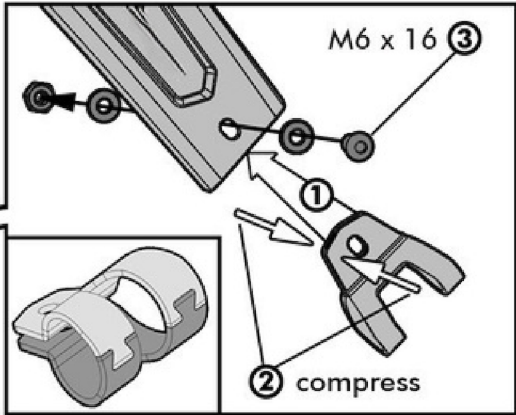
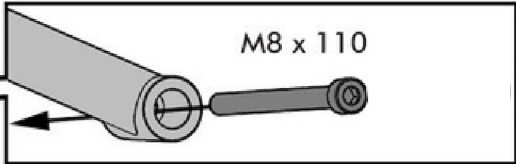


! insert screws
only loosely



! Fitting of left and right side is identical

